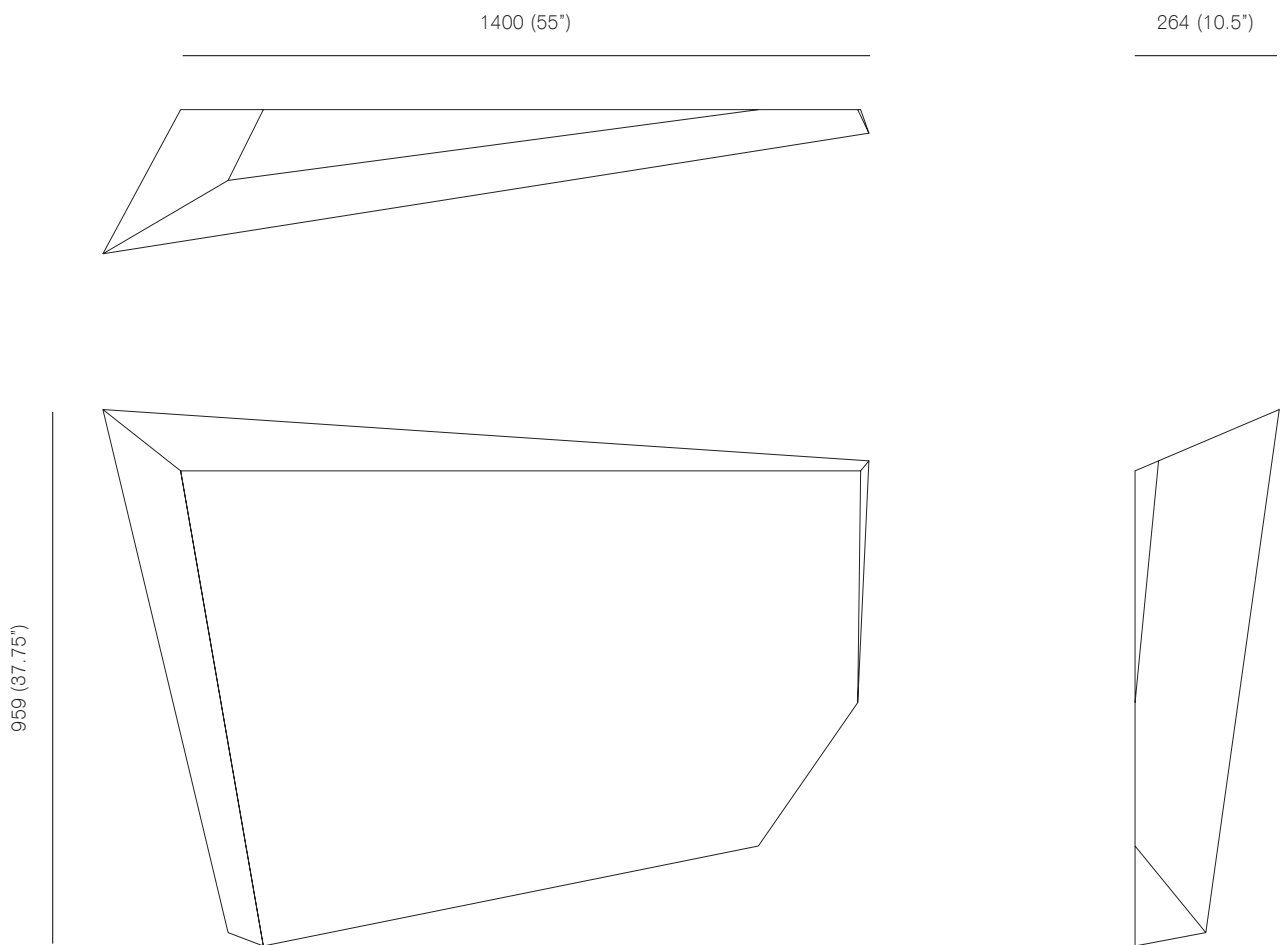


MICHAEL ANASTASSIADES

Copper Mirror - Type 1, 2006



Copper Mirror - Type 1, 2006
Copper on wooden frame
Edition of 10



Please allow 25mm tolerance of dimensions.

Copper Mirror - Type 1, 2006

Designed by Michael Anastassiades as part of his limited edition work, the Copper Mirror series was first shown at the launch of the studio in London, 2007. The mirror is hand made in the United Kingdom out of wood conglomerate and sheet copper. It is polished by hand numerous times during its fabrication, leaving the copper with a natural fine grain. To retain its inherent qualities, it is left un-lacquered. Due to the nature of the copper it will naturally oxidise over time, making the copper darker. This can be re-polished by following the instructions below to restore it back to its original state.

Cleaning instructions

Please note copper is a soft material and must be handled with extra care. For maintenance, only use lint-free dust cloths and wear the white cotton gloves, provided, if handling it.

To polish the mirror, use a good quality nonabrasive copper cleaner and extra soft dust cloths (lint-free).

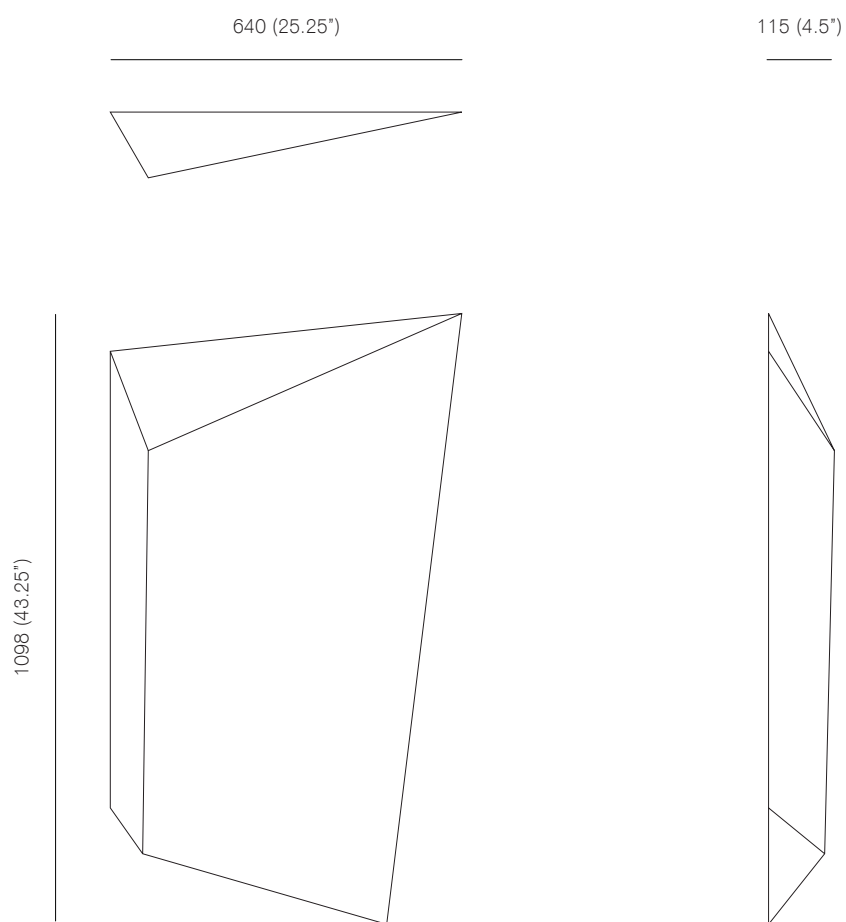
When polishing the mirror, always go with the direction of the grain. This can be identified on viewing the surface under a light source. Do not apply pressure on persistent marks. Remove these using repeated gentle motions and reapplying the copper cleaner. If in doubt contact your point of sale or sales@michaelanastassiades.com.

MICHAEL ANASTASSIADES

Copper Mirror - Type 2, 2006



Copper Mirror - Type 2, 2006
Copper on wooden frame
Edition of 10



Please allow 25mm tolerance of dimensions.

Copper Mirror - Type 2, 2006

Designed by Michael Anastassiades as part of his limited edition work, the Copper Mirror series was first shown at the launch of the studio in London, 2007. The mirror is hand made in the United Kingdom out of wood conglomerate and sheet copper. It is polished by hand numerous times during its fabrication, leaving the copper with a natural fine grain. To retain its inherent qualities, it is left un-lacquered. Due to the nature of the copper it will naturally oxidise over time, making the copper darker. This can be re-polished by following the instructions below to restore it back to its original state.

Cleaning instructions

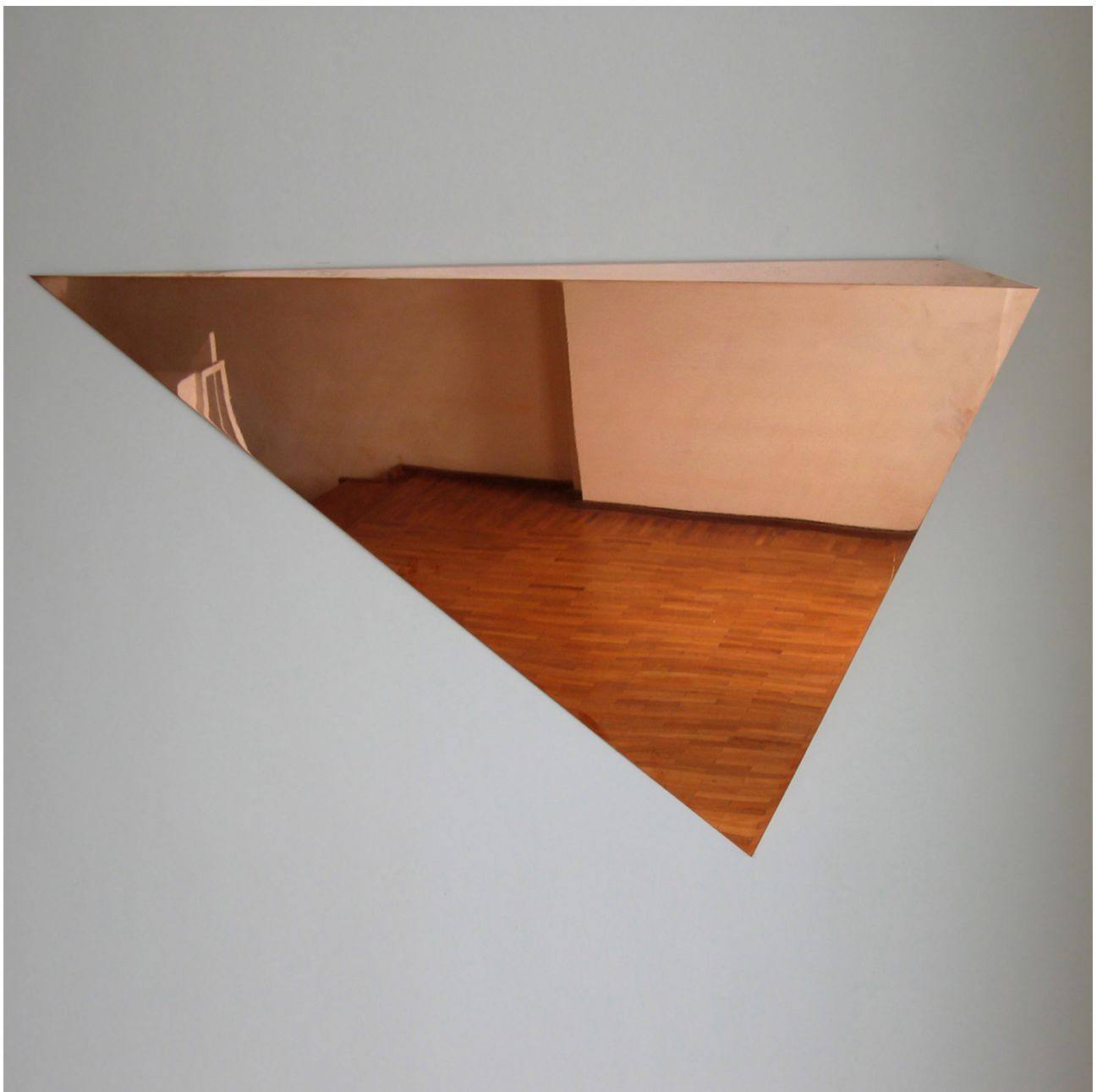
Please note copper is a soft material and must be handled with extra care. For maintenance, only use lint-free dust cloths and wear the white cotton gloves, provided, if handling it.

To polish the mirror, use a good quality nonabrasive copper cleaner and extra soft dust cloths (lint-free).

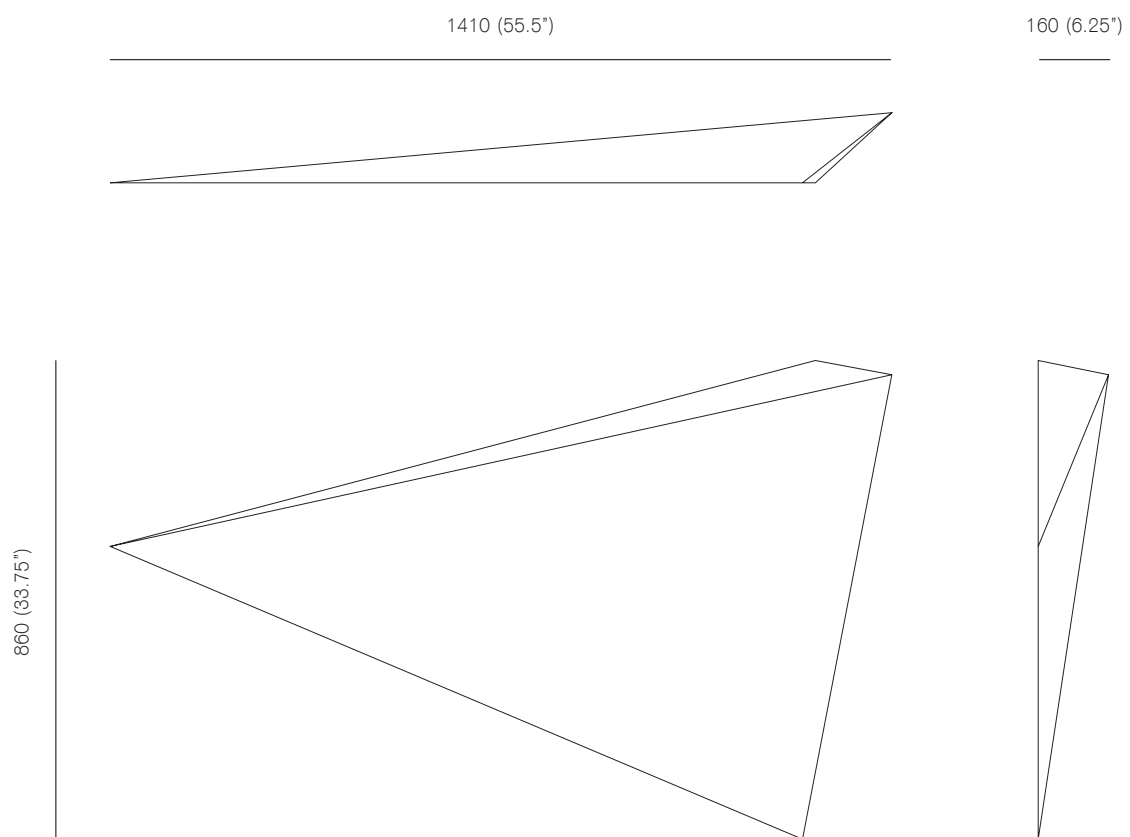
When polishing the mirror, always go with the direction of the grain. This can be identified on viewing the surface under a light source. Do not apply pressure on persistent marks. Remove these using repeated gentle motions and reapplying the copper cleaner. If in doubt contact your point of sale or sales@michaelanastassiades.com.

MICHAEL ANASTASSIADES

Copper Mirror - Type 3, 2006



Copper Mirror - Type 3, 2006
Copper on wooden frame
Edition of 10



Please allow 25mm tolerance of dimensions.

Copper Mirror - Type 3, 2006

Designed by Michael Anastassiades as part of his limited edition work, the Copper Mirror series was first shown at the launch of the studio in London, 2007. The mirror is hand made in the United Kingdom out of wood conglomerate and sheet copper. It is polished by hand numerous times during its fabrication, leaving the copper with a natural fine grain. To retain its inherent qualities, it is left un-lacquered. Due to the nature of the copper it will naturally oxidise over time, making the copper darker. This can be re-polished by following the instructions below to restore it back to its original state.

Cleaning instructions

Please note copper is a soft material and must be handled with extra care. For maintenance, only use lint-free dust cloths and wear the white cotton gloves, provided, if handling it.

To polish the mirror, use a good quality nonabrasive copper cleaner and extra soft dust cloths (lint-free).

When polishing the mirror, always go with the direction of the grain. This can be identified on viewing the surface under a light source. Do not apply pressure on persistent marks. Remove these using repeated gentle motions and reapplying the copper cleaner. If in doubt contact your point of sale or sales@michaelanastassiades.com.

Michael Anastassiades' design philosophy is to preserve the inherent qualities of given material. All of our products are handmade and come in natural finishes, exposed to the elements without any protective lacquers. We look at oxidation as part of a process that adds to the patina of an object, increasing beauty with time. We try our best for all goods to leave our premises in pristine condition, but sometimes products may arrive with minor oxidation marks.

Whilst every effort is made to ensure accurate representation of product colours, finishes and dimensions, Michael Anastassiades Ltd reserves the right to alter these details without notice, in compliance with its own production needs, technological changes or in response to the current market needs. Colour swatches are for reference only; Michael Anastassiades Ltd cannot guarantee exact colour match for any product finishes.

All designs are protected under copyright law. Michael Anastassiades holds the exclusive manufacturing and distribution rights worldwide. Copying will be prosecuted.

All light fixtures in this catalogue have CE marking compliance.

Michael Anastassiades Ltd.
50 Rochester Pl, London NW1 9JX, UK
T +44 (0)20 7928 7527
sales@michaelanastassiades.com
www.michaelanastassiades.com
© 2019 Michael Anastassiades Ltd. All rights reserved.